

# Non-Spring Return Smoke Control Actuator BR24-48-F-ST



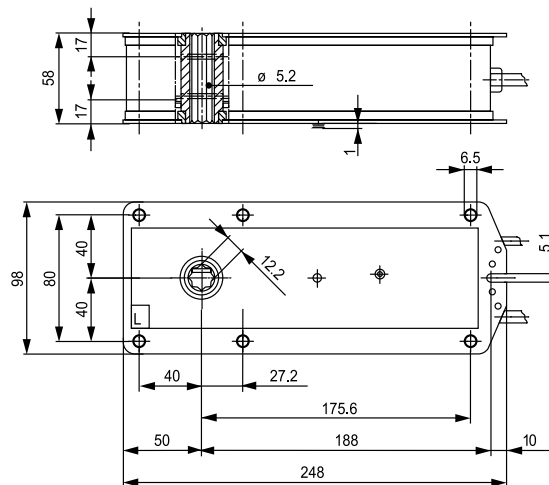
- Actuator for smoke control in HVAC systems
- Torque: 15Nm
- Nominal voltage: AC/DC 24...48V
- Control: Open/Close
- Manual override function
- Compatible with the control unit for pulse triggering BSIA24-48(-R)



## Technical data

<b>Electrical data</b>	Nominal voltage	AC 24...48V 50/60Hz, DC 24...48V
	Nominal voltage range	AC/DC 20.4...57.6V
	Power consumption	12...24W @ running / 1.5...3W @ holding
	For transformer sizing	15...30VA
	Auxiliary switch	2 SPDT, 6(3)A, AC 250V $\square$
	-Switching points	5° $\leftarrow$ , 80° $\leftarrow$
<b>Functional data</b>	Connection	-Motor -Auxiliary Switch
		C2 cable 1m, 3 x 0.75mm <sup>2</sup> (with 3-pole plug) C2 cable 1m, 6 x 0.75mm <sup>2</sup> (with 3-pole plug)
	Torque	15Nm @ nominal voltage
	Blocking torque	-Dynamic -Steady-state
		15Nm 30Nm
	Direction of rotation	Selectable by L/R installation
	Angle of rotation	Max. 95°
	Running time	<30s
	Sound power level	Max. 60dB(A)
	Position indicator	Mechanical with pointer
	Service life	>10,000 cycles
	<b>Safety</b>	Protection class
Degree of protection		IP54
EMC		CE according to 2004/108/EC
Ambient temperature		-Normal Duty -Safety Duty
		-30...+50°C -30...+70°C (24hr guaranteed safety)
Storage temperature		-40...+80°C
Humidity test		95% RH, non-condensing
Maintenance	Maintenance-free	
<b>Dimensions / weight</b>	Dimensions (L x M x H)	248 x 98 x 58mm
	Shaft diameter	Form-fit 12 x 12mm
	Weight	Approx. 2.2kg

## Dimensions [mm]



**Wiring diagram: B..E../BR.. series Non-Spring Return Open/Close Actuators**

**Notes:**

- Parallel connection of several actuators is possible.
- Power consumption and switching thresholds must be observed.

